



End-Of-Life notice for MV1 camera series

Photonfocus manufactures its cameras for very long lifecycles. When electronic components are discontinued, we find alternatives to extend our camera's lifecycle. Unfortunately, in the case of our MV1, it is no longer possible to extend the full MV1 series.

With this document, we announce the discontinuation of all the MV1 (including DR1, QR1, BL1 and OEM) cameras using the following sensors: AMS CMV4000, AMS CMV2000, e2v EV76C560, e2v EV76C561, e2v EV76C570, LUXIMA LUX1310.

Please note however that only MV1 camera types **using the Photonfocus sensors** are still available except MV1-D1024E-3D02-160-G2 and MV1-D1312-3D02-160-G2.

There will be a last time buy opportunity until June 30th 2023, and a last delivery date until December 31st 2023.

Please refer to your sales manager for details on the last buy and your replacement options.

© Photonfocus AG. All rights reserved. This information is subject to change by Photonfocus at any time without any prior notice and Photonfocus cannot be held responsible for any technical or typographical errors.

1 Cameras to be discontinued

The following list is a non-exhaustive list, if you have any doubt, please contact your local sales manager.

Part Number	Camera Model	Sensor Type
602040.806	MV1-D2048-96-G2	AMS CMV4000
602040.816	MV1-D2048I-96-G2	AMS CMV4000
602040.826	MV1-D2048C-96-G2	AMS CMV4000
602040.801	MV1-D2048-160-CL	AMS CMV4000
602040.811	MV1-D2048I-160-CL	AMS CMV4000
602040.821	MV1-D2048C-160-CL	AMS CMV4000
602040.802	MV1-D2048-240-CL	AMS CMV4000
602040.812	MV1-D2048I-240-CL	AMS CMV4000
602040.822	MV1-D2048C-240-CL	AMS CMV4000
602040.841	DR1-D2048-192-G2	AMS CMV4000
602040.842	DR1-D2048I-192-G2	AMS CMV4000
602040.843	DR1-D2048C-192-G2	AMS CMV4000
603040.806	BL1-D2048-96-G2	AMS CMV4000
603040.816	BL1-D2048I-96-G2	AMS CMV4000
603040.826	BL1-D2048C-96-G2	AMS CMV4000
603040.801	BL1-D2048-160-CL	AMS CMV4000
603040.811	BL1-D2048I-160-CL	AMS CMV4000
603040.821	BL1-D2048C-160-CL	AMS CMV4000
603040.802	BL1-D2048-240-CL	AMS CMV4000
603040.812	BL1-D2048I-240-CL	AMS CMV4000
603040.822	BL1-D2048C-240-CL	AMS CMV4000
504540.806	OEM-D2048-160-LC	AMS CMV4000
504540.816	OEM-D2048I-160-LC	AMS CMV4000
504540.826	OEM-D2048C-160-LC	AMS CMV4000
602030.806	MV1-D2048x1088-96-G2	AMS CMV2000
602030.816	MV1-D2048x1088I-96-G2	AMS CMV2000
602030.826	MV1-D2048x1088C-96-G2	AMS CMV2000
602030.801	MV1-D2048x1088-160-CL	AMS CMV2000
602030.811	MV1-D2048x1088I-160-CL	AMS CMV2000
602030.821	MV1-D2048x1088C-160-CL	AMS CMV2000
602030.802	MV1-D2048x1088-240-CL	AMS CMV2000
602030.812	MV1-D2048x1088I-240-CL	AMS CMV2000
602030.822	MV1-D2048x1088C-240-CL	AMS CMV2000
605030.301	MV1-D2048x1088-3D06-768-G2	AMS CMV2000
605030.302	MV1-D2048x1088-3D06-768-H2	AMS CMV2000
605030.311	MV1-D2048x1088-3D06-768-G2-S10	AMS CMV2000
605030.312	MV1-D2048x1088-3D06-768-H2-S10	AMS CMV2000
605030.304	MV1-D2048x1088-C125-768-G2-8	AMS CMV2000

© Photonfocus AG. All rights reserved. This information is subject to change by Photonfocus at any time without any prior notice and Photonfocus cannot be held responsible for any technical or typographical errors.

Part Number	Camera Model	Sensor Type
605030.305	MV1-D2048x1088-C125-760-H2-8	AMS CMV2000
602030.841	DR1-D2048x1088-192-G2	AMS CMV2000
602030.842	DR1-D2048x1088I-192-G2	AMS CMV2000
602030.843	DR1-D2048x1088C-192-G2	AMS CMV2000
602030.851	QR1-D2048x1088-384-G2	AMS CMV2000
602030.852	QR1-D2048x1088I-384-G2	AMS CMV2000
602030.853	QR1-D2048x1088C-384-G2	AMS CMV2000
603030.806	BL1-D2048x1088-96-G2	AMS CMV2000
603030.816	BL1-D2048x1088I-96-G2	AMS CMV2000
603030.826	BL1-D2048x1088C-96-G2	AMS CMV2000
603030.801	BL1-D2048x1088-160-CL	AMS CMV2000
603030.811	BL1-D2048x1088I-160-CL	AMS CMV2000
603030.821	BL1-D2048x1088C-160-CL	AMS CMV2000
603030.103	BL1-D2048x1088-3D06-768-G2	AMS CMV2000
603030.156	BL1-D2048x1088-3D06-768-H2	AMS CMV2000
504540.801	OEM-D2048x1088-160-LC	AMS CMV2000
504540.811	OEM-D2048x1088I-160-LC	AMS CMV2000
504540.821	OEM-D2048x1088C-160-LC	AMS CMV2000
601030.006	MV1-L2048-96-G2	AMS CMV2000
601030.016	MV1-L2048I-96-G2	AMS CMV2000
601030.026	MV1-L2048C-96-G2	AMS CMV2000
601030.001	MV1-L2048-160-CL	AMS CMV2000
601030.011	MV1-L2048I-160-CL	AMS CMV2000
601030.021	MV1-L2048C-160-CL	AMS CMV2000
602030.905	MV1-D1280-120-G2	e2v EV76C560
602030.925	MV1-D1280C-120-G2	e2v EV76C560
602030.901	MV1-D1280-120-CL	e2v EV76C560
602030.921	MV1-D1280C-120-CL	e2v EV76C560
602030.915	MV1-D1280I-120-G2	e2v EV76C561
602030.911	MV1-D1280I-120-CL	e2v EV76C561
602030.906	MV1-D1600-120-G2	e2v EV76C570
602030.926	MV1-D1600C-120-G2	e2v EV76C570
602030.902	MV1-D1600-120-CL	e2v EV76C570
602030.922	MV1-D1600C-120-CL	e2v EV76C570
602030.932	MV1-D1280-L01-1280-G2	LUXIMA LUX1310
605030.201	MV1-D1280-L01-3D05-1280-G2	LUXIMA LUX1310
605020.002	MV1-D1024E-3D02-160-G2	Photonfocus D1024
605030.003	MV1-D1312-3D02-160-G2	Photonfocus D1312

© Photonfocus AG. All rights reserved. This information is subject to change by Photonfocus at any time without any prior notice and Photonfocus cannot be held responsible for any technical or typographical errors.

2 Cameras still available

Part Number	Camera Model	Sensor Type
602020.132	MV1-D1024E-80-G2	Photonfocus D1024
602020.144	MV1-D1024E-160-CL	Photonfocus D1024
603020.132	BL1-D1024E-80-G2	Photonfocus D1024
603020.141	BL1-D1024E-160-CL	Photonfocus D1024
504530.003	OEM-D1024E-160-LC	Photonfocus D1024
602030.034	MV1-D1312-100-G2	Photonfocus D1312
602030.734	MV1-D1312IE-100-G2	Photonfocus D1312
602030.011	MV1-D1312-160-CL	Photonfocus D1312
602030.711	MV1-D1312IE-160-CL	Photonfocus D1312
602030.016	MV1-D1312-240-CL	Photonfocus D1312
602030.716	MV1-D1312IE-240-CL	Photonfocus D1312
602030.070	DR1-D1312-200-G2	Photonfocus D1312
602030.770	DR1-D1312IE-200-G2	Photonfocus D1312
602030.081	HD1-D1312-80-G2	Photonfocus D1312
602030.080	HD1-D1312-160-CL	Photonfocus D1312
603030.034	BL1-D1312-100-G2	Photonfocus D1312
603030.734	BL1-D1312IE-100-G2	Photonfocus D1312
603030.011	BL1-D1312-160-CL	Photonfocus D1312
603030.711	BL1-D1312IE-160-CL	Photonfocus D1312
504540.011	OEM-D1312-160-LC	Photonfocus D1312
504540.711	OEM-D1312IE-160-LC	Photonfocus D1312
602040.014	MV1-D2080-160-G2-42	Photonfocus D2080
602040.015	MV1-D2080-160-G2-CM	Photonfocus D2080
602040.016	MV1-D2080-160-G2-FM	Photonfocus D2080
602040.001	MV1-D2080-160-CL-42	Photonfocus D2080
602040.002	MV1-D2080-160-CL-CM	Photonfocus D2080
602040.003	MV1-D2080-160-CL-FM	Photonfocus D2080
603040.007	BL1-D2080-160-G2-42	Photonfocus D2080
603040.008	BL1-D2080-160-G2-CM	Photonfocus D2080
603040.009	BL1-D2080-160-G2-FM	Photonfocus D2080
603040.001	BL1-D2080-160-CL-42	Photonfocus D2080
603040.002	BL1-D2080-160-CL-CM	Photonfocus D2080
603040.003	BL1-D2080-160-CL-FM	Photonfocus D2080
504550.011	OEM-D2080-160-LC	Photonfocus D2080

© Photonfocus AG. All rights reserved. This information is subject to change by Photonfocus at any time without any prior notice and Photonfocus cannot be held responsible for any technical or typographical errors.

3 Replacement Cameras

3.1 For Sensor AMS (CMOSIS) CMV2000 – D2048x1088

EOL Cameras		Possible Replacement Camera	
Part Number	Camera Model	Part Number	Camera Model
603030.801	BL1-D2048x1088-160-CL	609030.006	MV4-D2048x1088-C01-GT
603030.806	BL1-D2048x1088-96-G2	602011.010	MV0-D2048x1088-C01-G2
		602012.026	MV2-D2048x1088-C01-G1
		609030.005	MV4-D2048x1088-C01-G2
602030.801	MV1-D2048x1088-160-CL	609030.006	MV4-D2048x1088-C01-GT
602030.802	MV1-D2048x1088-240-CL	609030.006	MV4-D2048x1088-C01-GT
602030.806	MV1-D2048x1088-96-G2	602011.010	MV0-D2048x1088-C01-G2
		602012.026	MV2-D2048x1088-C01-G1
		609030.005	MV4-D2048x1088-C01-G2
601030.001	MV1-L2048-160-CL	609030.006	MV4-D2048x1088-C01-GT
601030.006	MV1-L2048-96-G2	609030.006	MV4-D2048x1088-C01-GT
504540.801	OEM-D2048x1088-160-LC	602011.010	MV0-D2048x1088-C01-G2
		602012.026	MV2-D2048x1088-C01-G1

OEM on request.

3.2 For Sensor AMS (CMOSIS) CMV4000 – D2048

EOL Cameras		Possible Replacement Camera	
Part Number	Camera Model	Part Number	Camera Model
603040.801	BL1-D2048-160-CL	602011.028	OEM0-D2048-C01-G2
		602012.036	OEM2-D2048-C01-G1
603040.806	BL1-D2048-96-G2	602011.028	OEM0-D2048-C01-G2
		602012.036	OEM2-D2048-C01-G1
602040.801	MV1-D2048-160-CL	602011.012	MV0-D2048-C01-G2
		602012.032	MV2-D2048-C01-G1
602040.802	MV1-D2048-240-CL	602011.012	MV0-D2048-C01-G2
		602012.032	MV2-D2048-C01-G1
602040.806	MV1-D2048-96-G2	602011.012	MV0-D2048-C01-G2
		602012.032	MV2-D2048-C01-G1
504540.806	OEM-D2048-160-LC	602011.028	OEM0-D2048-C01-G2
		602012.036	OEM2-D2048-C01-G1

3.3 For Sensor E2V EV76C560 – D1280

No exact sensor replacements available

EOL Cameras		Possible Replacement Camera	
Part Number	Camera Model	Part Number	Camera Model
602030.901	MV1-D1280-120-CL	602011.004	MV0-D1280-O01-G2
		609030.008	MV4-D1280-L01-GT
602030.905	MV1-D1280-120-G2	602011.004	MV0-D1280-O01-G2
		609030.002	MV4-D1280-L01-G2

3.4 For Sensor e2v, EV76C661 – D1280I

No exact sensor replacements available

EOL Cameras		Possible Replacement Camera	
Part Number	Camera Model	Part Number	Camera Model
602030.911	MV1-D1280I-120-CL	602011.004	MV0-D1280-O01-G2
		609030.008	MV4-D1280-L01-GT

602030.915	MV1-D1280I-120-G2	602011.004 609030.002	MV0-D1280-O01-G2 MV4-D1280-L01-G2
------------	-------------------	--------------------------	--------------------------------------

3.5 For Sensor e2v, EV76C570 – D1600

No exact sensor replacements available

EOL Cameras		Possible Replacement Camera	
Part Number	Camera Model	Part Number	Camera Model
602030.902	MV1-D1600-120-CL	609040.003	MV4-D1600-S01-GT
602030.906	MV1-D1600-120-G2	602011.006 602012.016 602011.002 602012.004 602011.010 602012.026	MV0-D1920-S01-G2 MV2-D1920-S01-G1 MV0-D1984-O01-G2 MV2-D1984-O01-G1 MV0-D2048x1088-C01-G2 MV2-D2048x1088-C01-G1

3.6 3D Camera Versions

No exact replacements available in most cases

EOL Cameras		Possible Replacement Camera	
Part Number	Camera Model	Part Number	Camera Model
605020.002	MV1-D1024E-3D02-160-G2	602011.004 602012.011 609030.002	MV0-D1280-O01-3D06-G2 MV2-D1280-O01-3D06-G1 MV4-D1280-L01-3D06-G2
605030.003	MV1-D1312-3D02-160-G2	602011.004 602012.011 609030.002	MV0-D1280-O01-3D06-G2 MV2-D1280-O01-3D06-G1 MV4-D1280-L01-3D06-G2
605030.201	MV1-D1280-L01-3D05-1280-G2	609030.002	MV4-D1280-L01-3D06-G2
605030.301	MV1-D2048x1088-3D06-768-G2	602011.011 602012.027 605030.408	MV0-D2048x1088-C01-3D06-G2 MV2-D2048x1088-C01-3D06-G1 MV4-D2048x1088-C01-3D06-G2

Please Note: With newer camera series, 3D algorithms 3D02/3D03/3D04/3D05 will no longer be available. In their place, you will benefit from the completely reprogrammed 3D algorithms within 3D06 and 3D07. Details to that can be found in Chapter “Differences between MV1 and other series” > “3D Algorithms”.

3.7 Double-Rate DR1 & Quad-Rate QR1

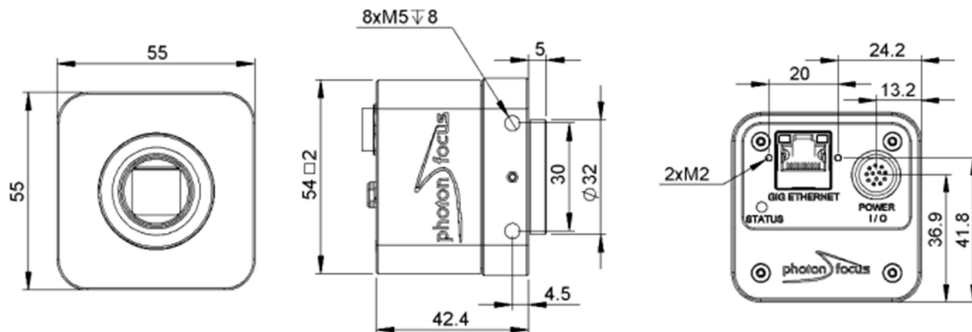
No exact replacements available for D1312 and D2048

EOL Cameras		Possible Replacement Camera	
Part Number	Camera Model	Part Number	Camera Model
602030.070	DR1-D1312-200-G2	609030.008 609040.003	MV4-D1280-L01-GT MV4-D1600-S01-GT
602040.841	DR1-D2048-192-G2	609030.006 602040.401	MV4-D2048x1088-C01-GT DR4-D1952-L01-GT
602030.841	DR1-D2048x1088-192-G2	609030.006	MV4-D2048x1088-C01-GT
602030.851	QR1-D2048x1088-384-G2	609030.006	MV4-D2048x1088-C01-GT

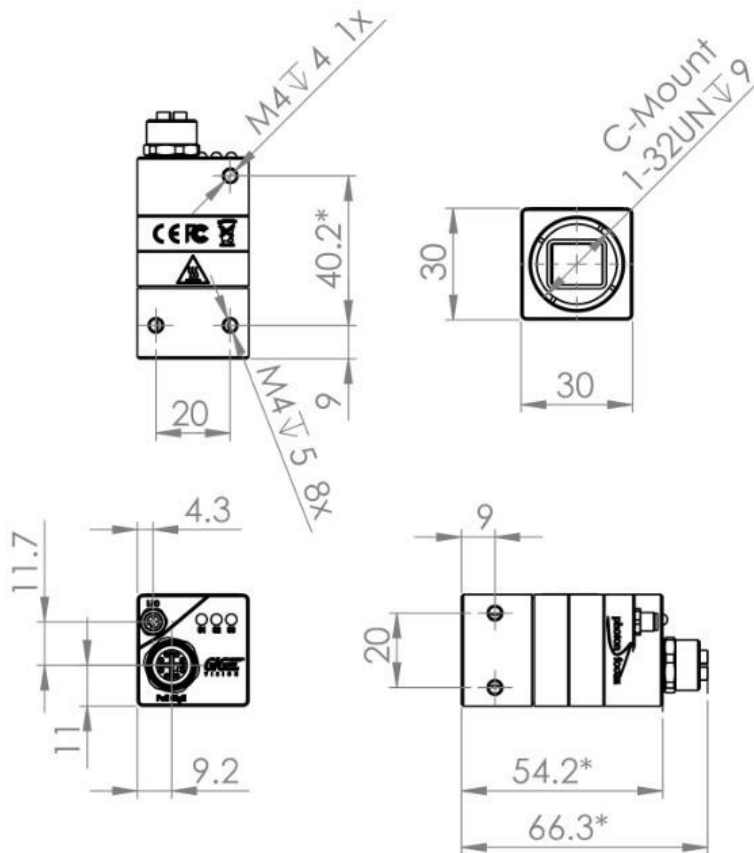
4 Differences between MV1 and other series

4.1 Mechanical Design GigE-Interface

4.1.1 MV1 series:



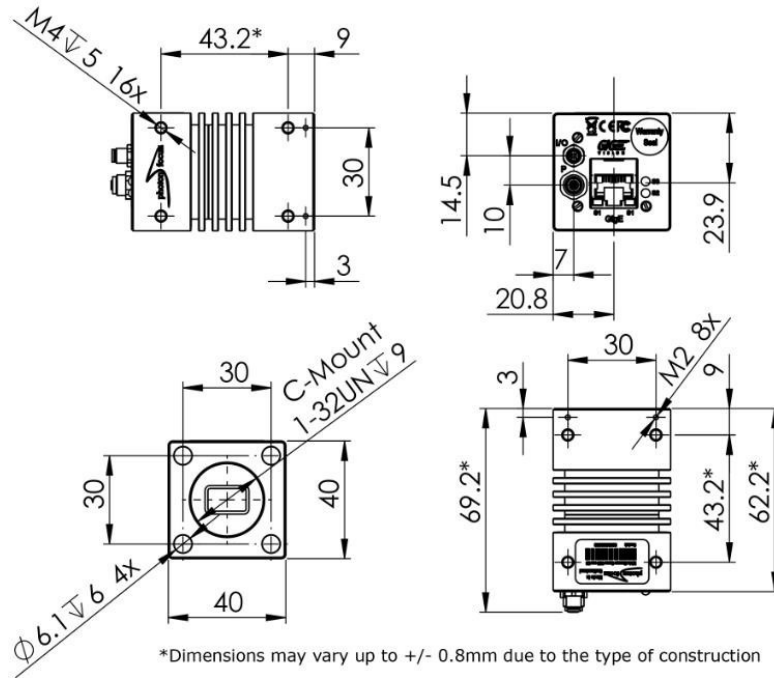
4.1.2 MV0 series:



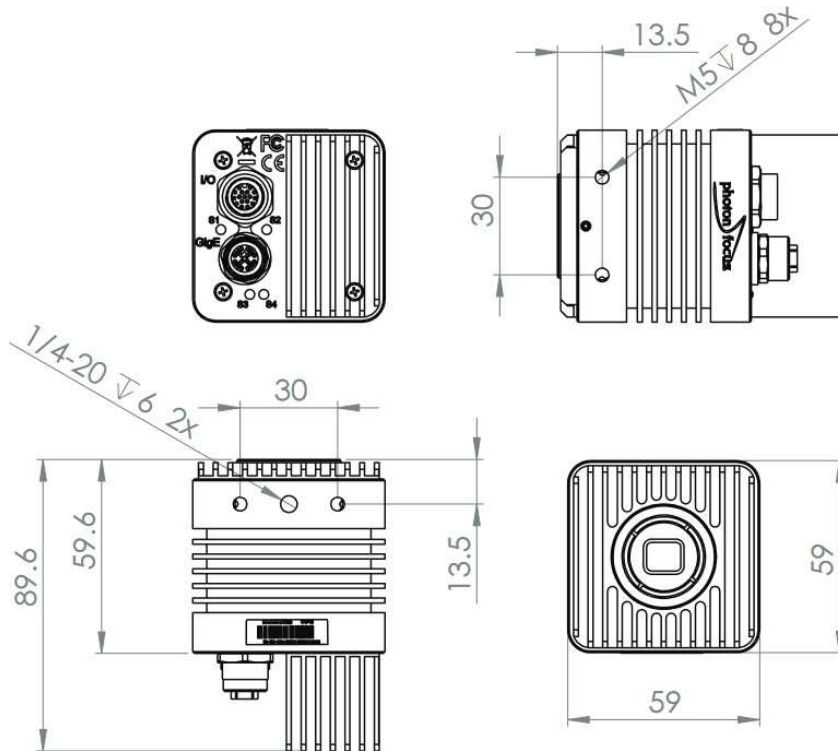
*Dimensions may vary up to +/- 0.8mm due to the type of construction

© Photonfocus AG. All rights reserved. This information is subject to change by Photonfocus at any time without any prior notice and Photonfocus cannot be held responsible for any technical or typographical errors.

4.1.3 MV2 series:

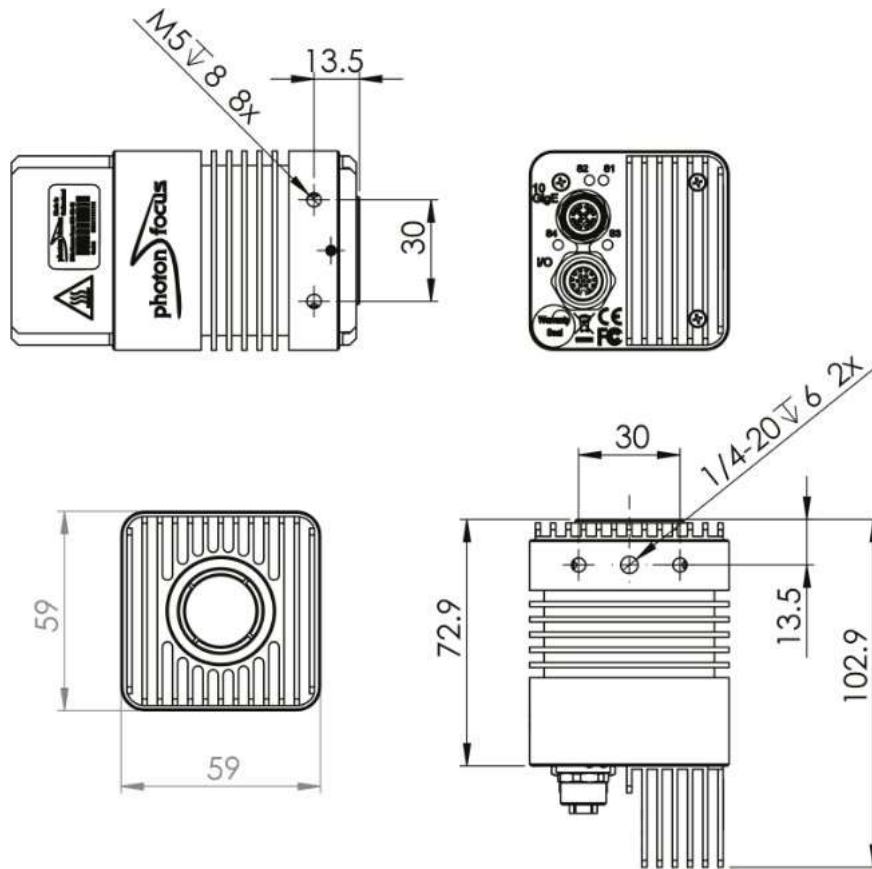


4.1.4 MV4 G2 series:



© Photonfocus AG. All rights reserved. This information is subject to change by Photonfocus at any time without any prior notice and Photonfocus cannot be held responsible for any technical or typographical errors.

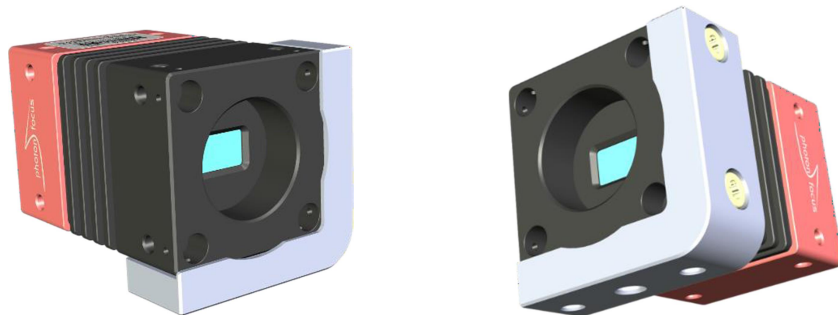
4.1.5 MV4 GT series:



4.1.6 ACCESSORIES

MV1 to MV2 Body Adapter: This adapter allows mounting of the MV2 camera to existing MV1 installation using the MV1 series camera body mounting holes:

Part number: 702010.005



© Photonfocus AG. All rights reserved. This information is subject to change by Photonfocus at any time without any prior notice and Photonfocus cannot be held responsible for any technical or typographical errors.

4.2 Power GigE Interfaces

	External Power	Power-Over-Ethernet (PoE)
MV1 – G2 Interface	+12 VDC (-10%) to +24 VDC (+10%)	N/A
MV0 – G2 Interface	N/A	IEEE 802.3af standard Class 2
MV2 – G1 Interface	+12 VDC (-10%) to +24 VDC (+10%)	N/A
MV4 – G2 Interface	+12 VDC (-10%) to +24 VDC (+10%)	IEEE 802.3bt standard Class 4
MV4/8 – GT Interface	+12 VDC (-10%) to +24 VDC (+10%)	IEEE 802.3bt standard Class 4

4.3 Digital I/Os

	Input	Output
MV1 – G2 Interface MV1 – H2 Interface	2x isolated inputs single-ended, 2x Differential RS422	2x isolated
MV0 – G2 Interface	2x isolated inputs single-ended (standard) Customized: 2x bidir IO single ended	1 x isolated output
MV2 – G1 Interface	2x isolated inputs single-ended (standard) Customized: 2x bidir IO single-ended	1 x isolated output
MV4 – G2 Interface	3x isolated inputs differential (RS422, HTL) or single-ended (TTL120, TTL270, HTL) Switchable by software (GenICAM) , 1 x TTL120	3x isolated output (2x open drain, 1x TTL highspeed)
MV4/8 – GT Interface	3x isolated inputs differential (RS422, HTL) or single-ended (TTL120, TTL270, HTL) Switchable by software (GenICAM), 1 x TTL120	3x isolated output (2x open drain, 1x TTL highspeed)

4.4 Connectors – GigE Interfaces

	GigE	Power	Digital I/Os
MV1 – G2	RJ45	12 pin Hirose	
MV0 – G2	x coded M12	PoE	4 pin M5 Binder
MV2 – G1	RJ45	3 pin M5 Binder	4 pin M5 Binder
MV4 – G2	x-coded M12	PoE or Digital I/O plug	17 pin M12
MV4 / MV8 – GT	x-coded M12	PoE or Digital I/O plug	17 pin M12

4.5 3D Algorithms

Main Differences between 3D03/3D04/3D05 and 3D06/3D07:

	3D03/3D04	3D05	3D06	3D07
Algorithm	PeakDetector	COG	LineFinder & COG	LineFinder & COG
Number of laser lines per image	Up to 2	1	1	Up to 4
Moving ROI	X	X	-	-
2D Line	X	X	-	-
Encoder support	A/B Trigger	A/B Trigger	MV0/MV2: A/B Trigger MV4: full support	MV0/MV2: A/B Trigger MV4: full support
SDK based on	Pleora eBUS SDK	Pleora eBUS SDK	PFSDK	PFSDK

© Photonfocus AG. All rights reserved. This information is subject to change by Photonfocus at any time without any prior notice and Photonfocus cannot be held responsible for any technical or typographical errors.

4.6 Software interface – GigE Interfaces

	Main SDK	3D	Double Rate	Hyperspectral
MV1	Pleora eBus SDK	PF3DSuite2 (part of PFInstaller)	PF Double Rate Lib (part of PFInstaller)	Please ask your sales manager
MV0/2	Photonfocus PFSDK	PF3DLib and PFViewer (part of PFSDK)	PF Double Rate Lib (part of PFSDK)	Please ask your sales manger
MV4/MV8	Photonfocus PFSDK	PF3DLib and PFViewer (part of PFSDK)	PF Double Rate Lib (part of PFSDK)	Please ask your sales manager

All installation packages can be downloaded here: <https://www.photonfocus.com/support/software/>

4.7 Software interface – Camera Link Interface

Cameras with Camera Link interfaces are used with frame grabbers on a host PC to acquire images. Thus programs and SDKs are the same for cameras of all series.

Controlling cameras with Camera Link interface is always done with PFRemote, which is part of PFInstaller.